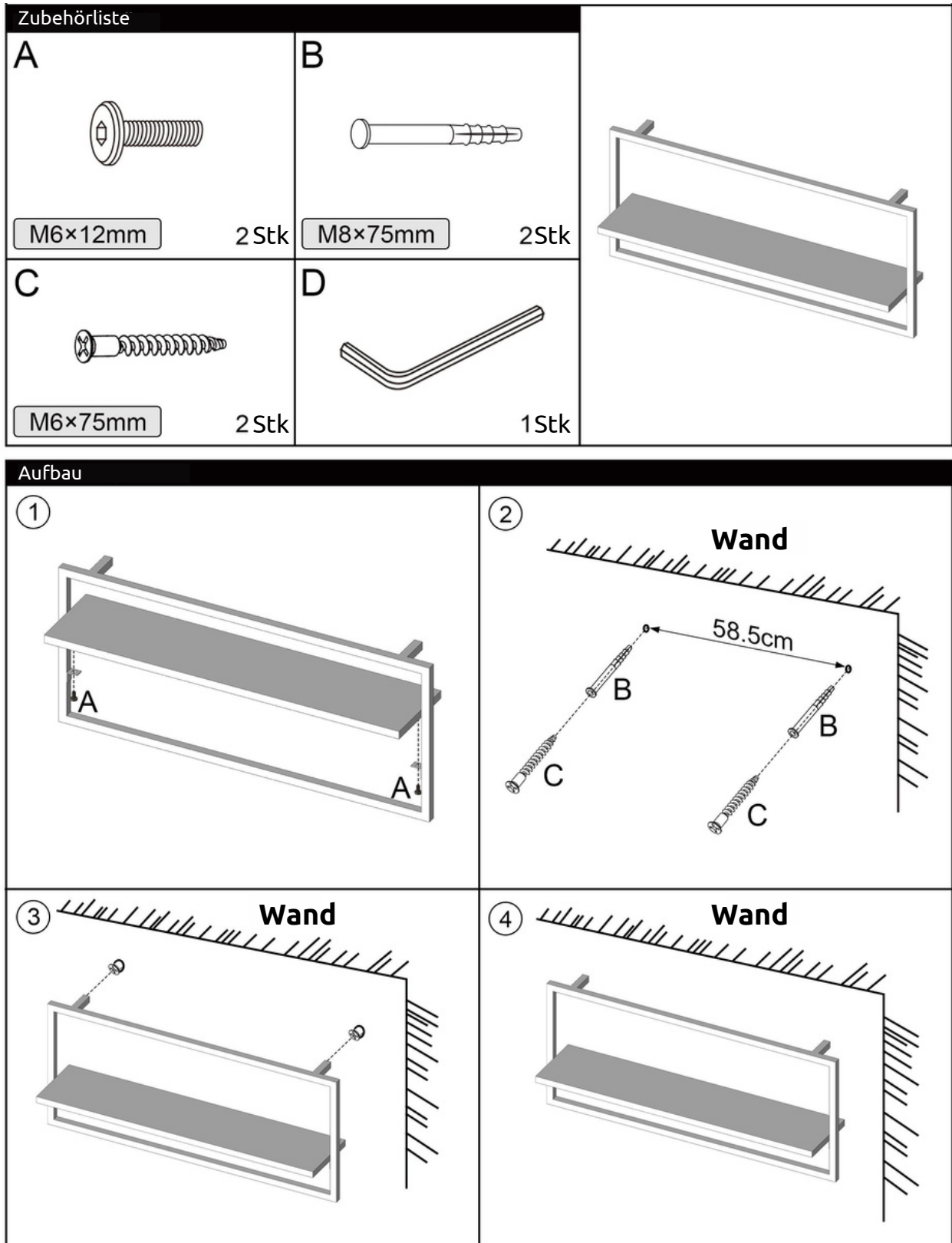


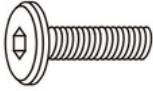

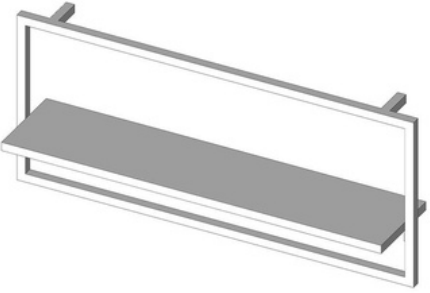


Montageanleitung

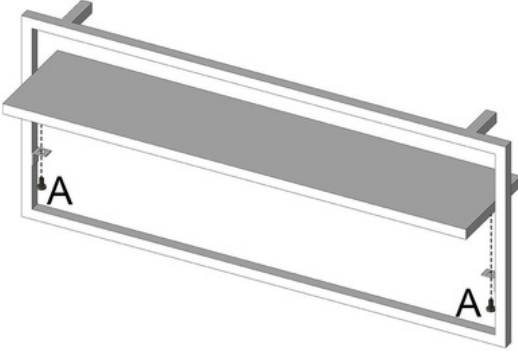
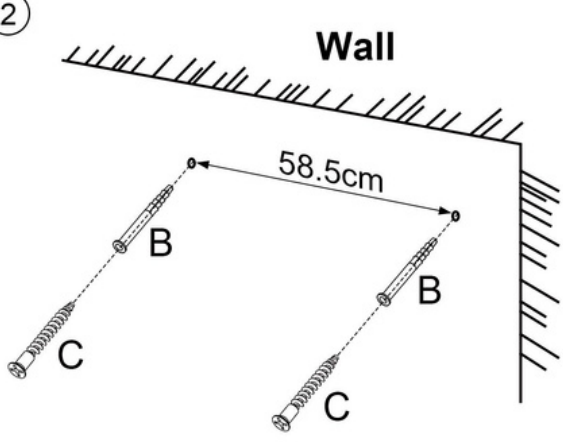
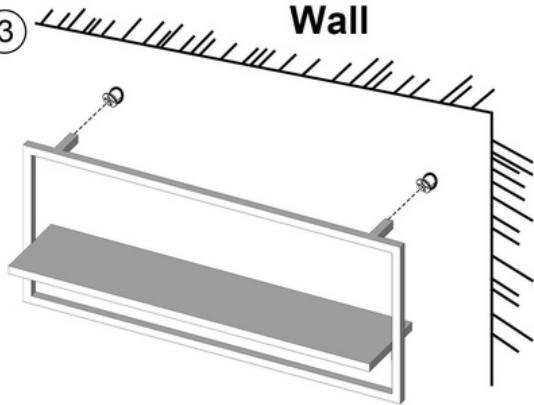
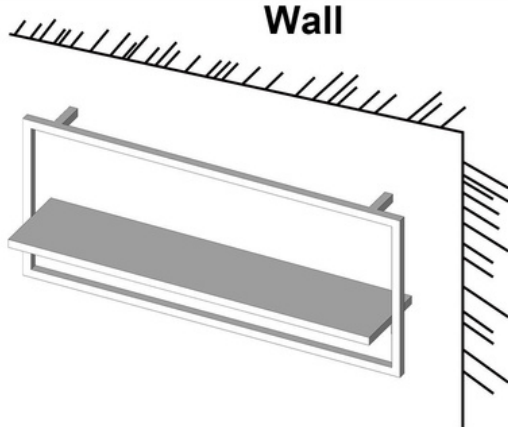
Wandregal long in schwarz gerahmt



Assembly Instruction

Wall shelf long, black framed

Accessories list			
A  M6×12mm 2pcs	B  M8×75mm 2pcs		
C  M6×75mm 2pcs	D  1pcs		

Installation process	
1 	2  <p>Wall</p> <p>58.5cm</p>
3  <p>Wall</p>	4  <p>Wall</p>