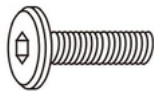


Montageanleitung

Wandregal small in schwarz gerahmt

Zubehörliste

A



M6x12mm

2Stk

B



M8x75mm

2Stk

C



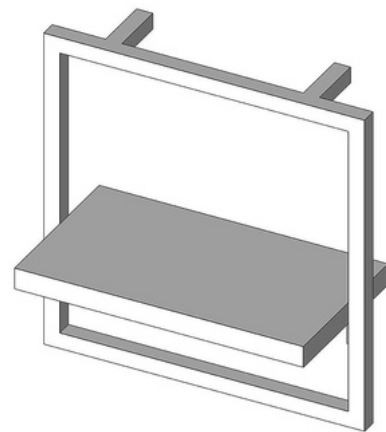
M6x75mm

2Stk

D

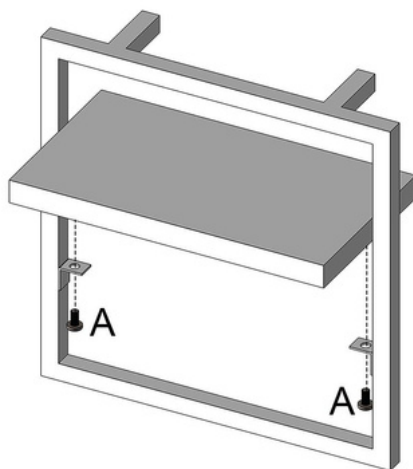


1Stk

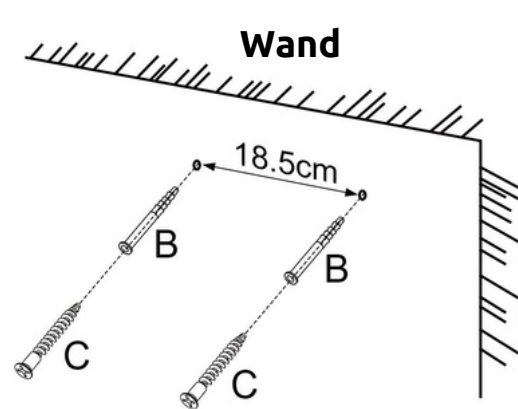


Aufbau

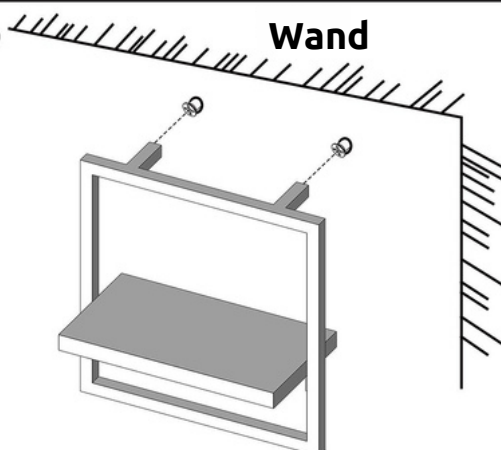
①



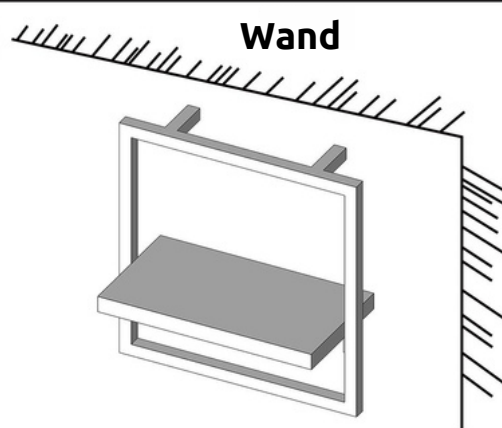
②



③

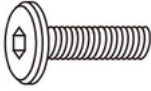
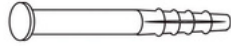
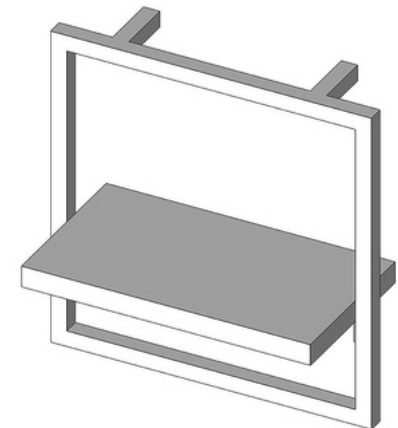




④



Assembly Instruction

Wall shelf small, black framed

Accessories list			
A  M6×12mm 2pcs	B  M8×75mm 2pcs		
C  M6×75mm 2pcs	D  1pcs		

