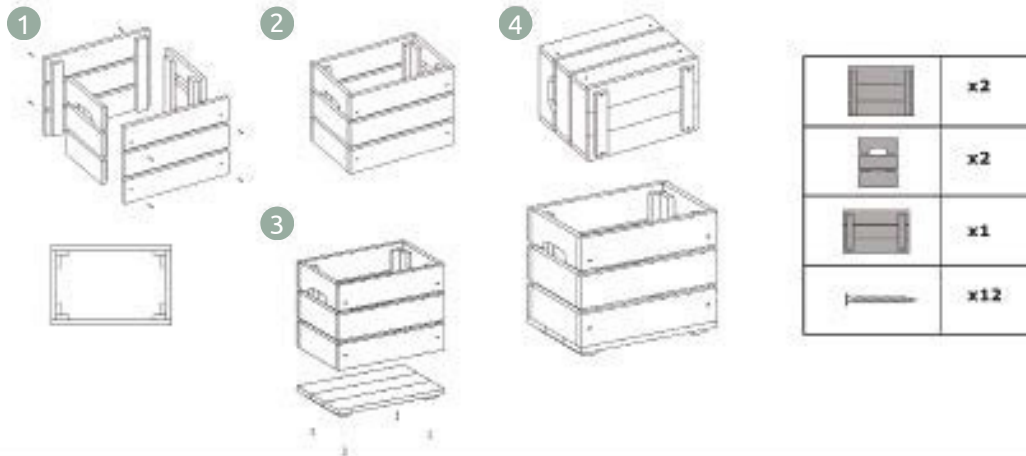


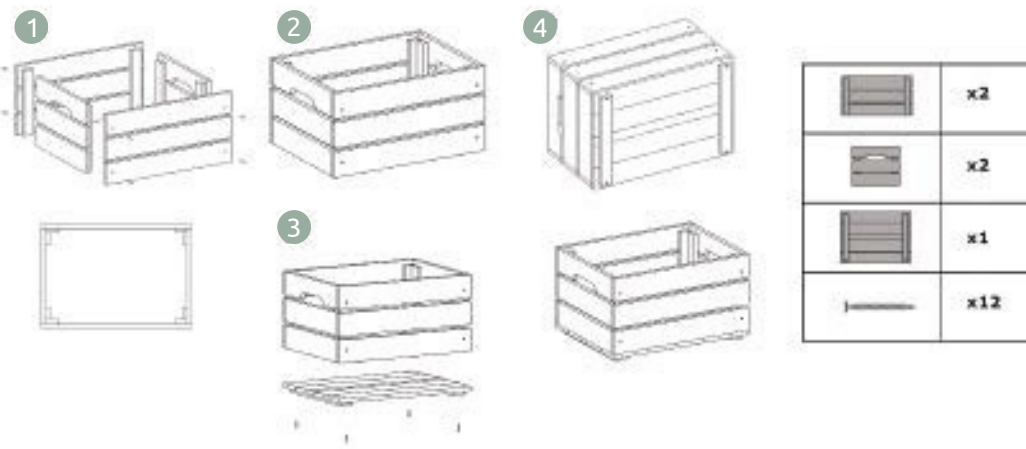
Montageanleitung

Holzkruste | Weinkruste zum Dekorieren

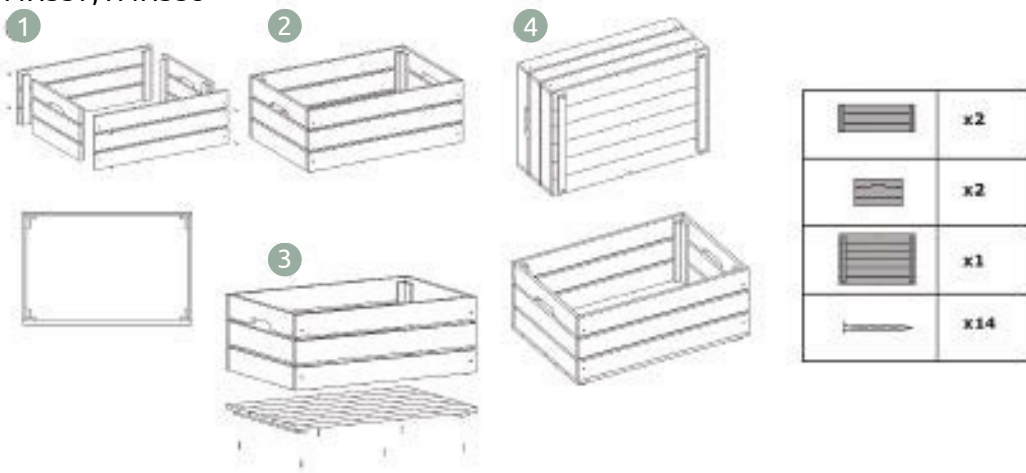
H4H361, H4H362



H4H359, H4H360



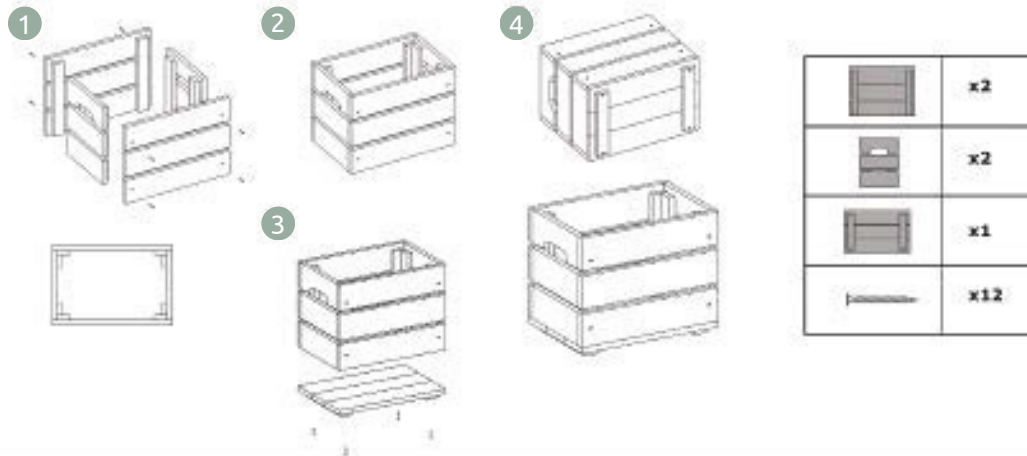
H4H357, H4H358



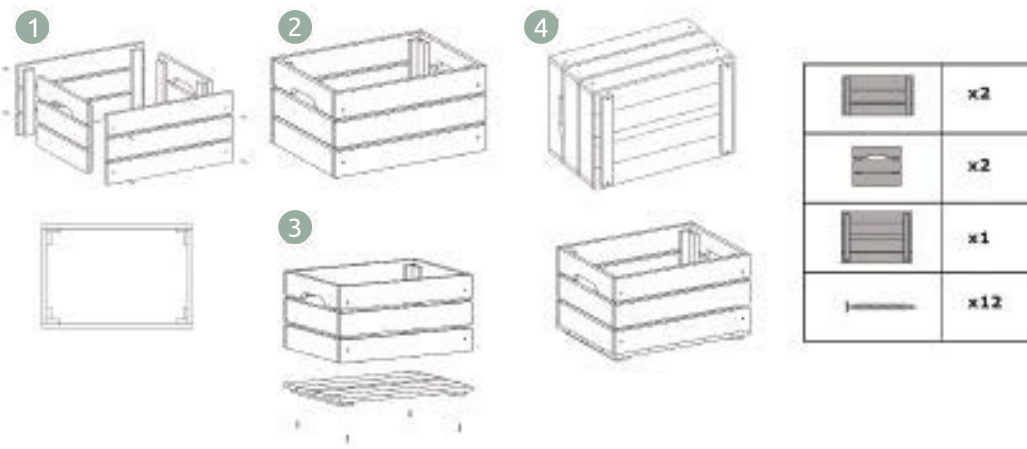
Assembly Instruction

Wooden box | wine box for decorating

H4H361, H4H362



H4H359, H4H360



H4H357, H4H358

